

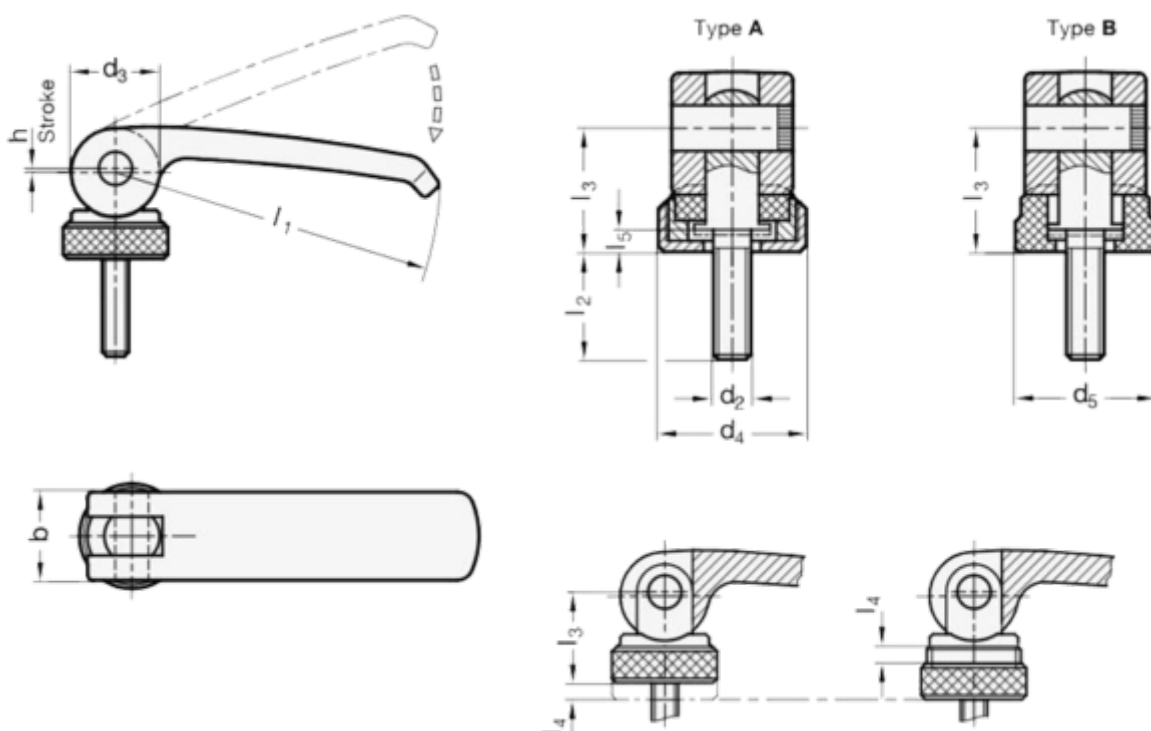
# Data Sheet



Article number: 209273101M850B

Description: E+G Clamping lever GN 927.3-101-M8-50-B  
Male thread

## Measures



b = 25  
d2 = M8  
d4 =  
d5 = 27  
l1 = 101  
l2 = 50